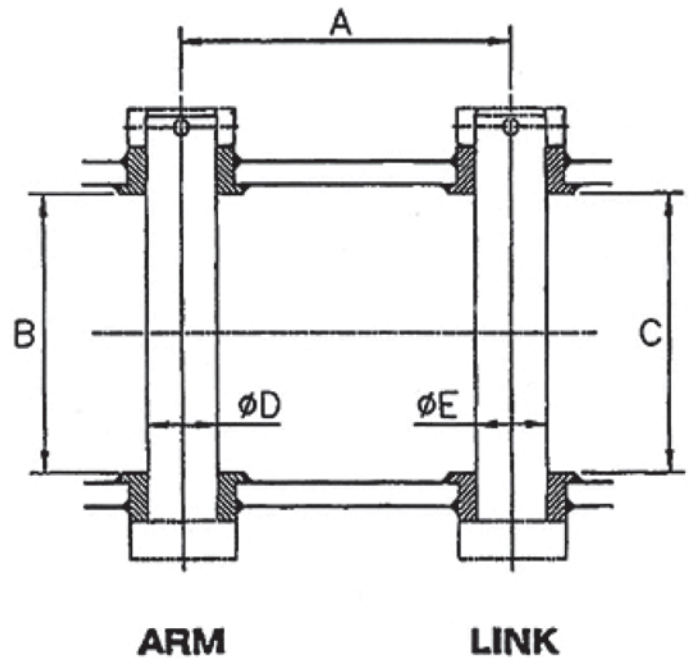
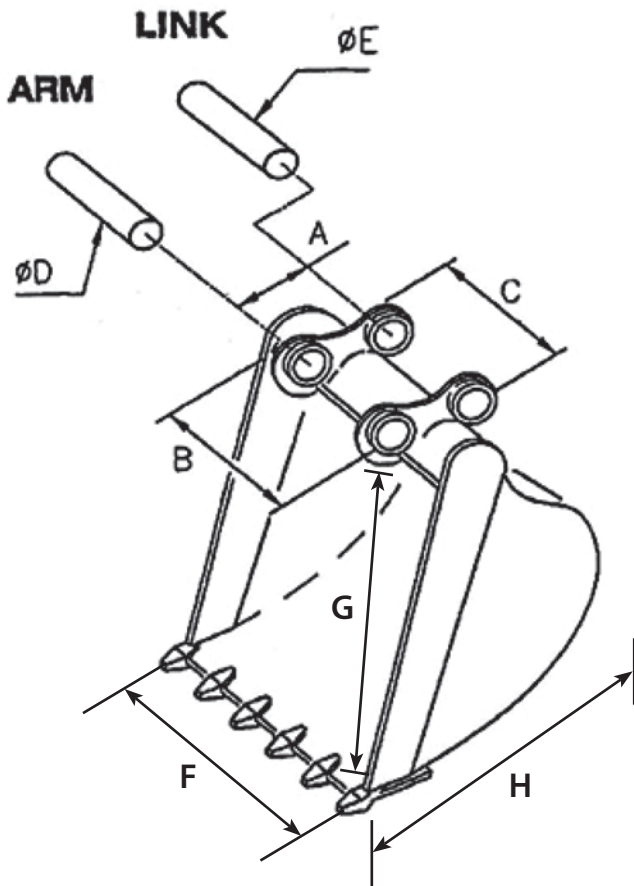


DIMENSION OF BUCKET PINS OF EXCAVATOR

POINT	DIMENSION (mm)
A	
B	
C	
D	
E	
F	
G	
H	



Approved by: _____
 Date: _____

RSBM bucket

Approved by: _____
 Date: _____